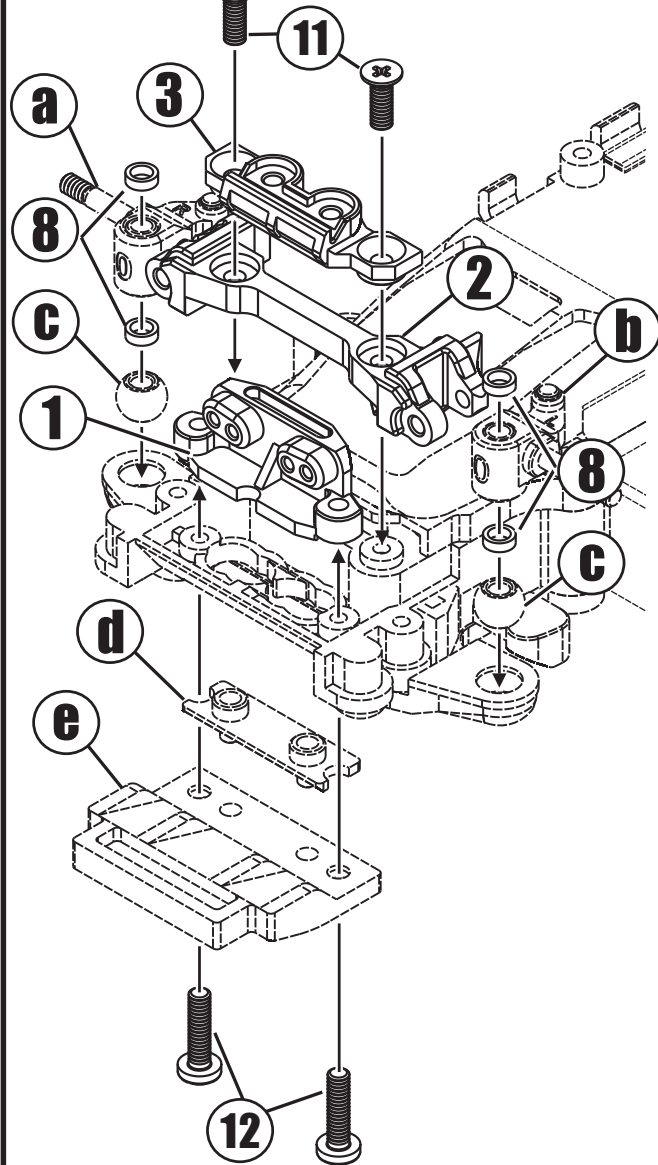




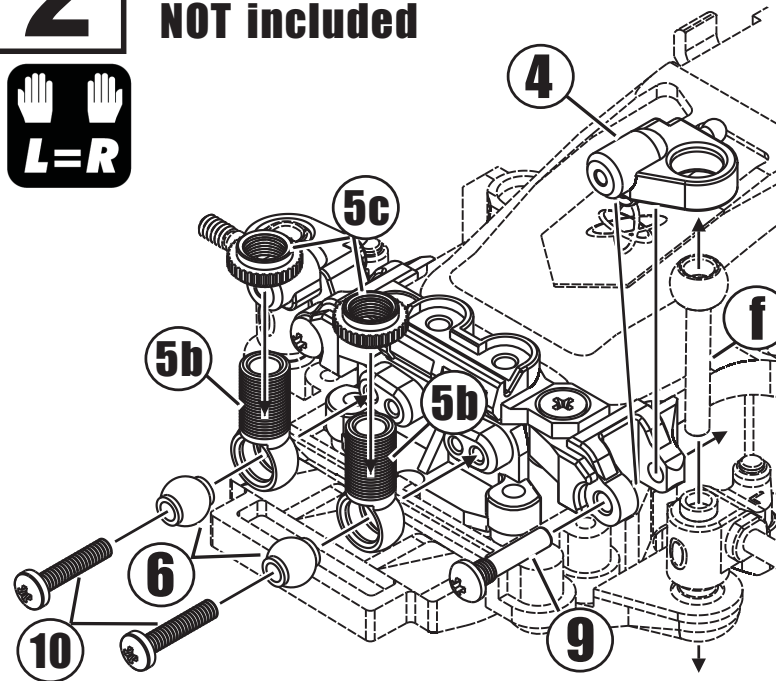
MR3-032-LP I.A.S Low Pro-file Kit set. (MR-03 W)

www.rcatomic.com

1 MR-03 original parts a, b, c, d, e and f should be required for combination installation !!!



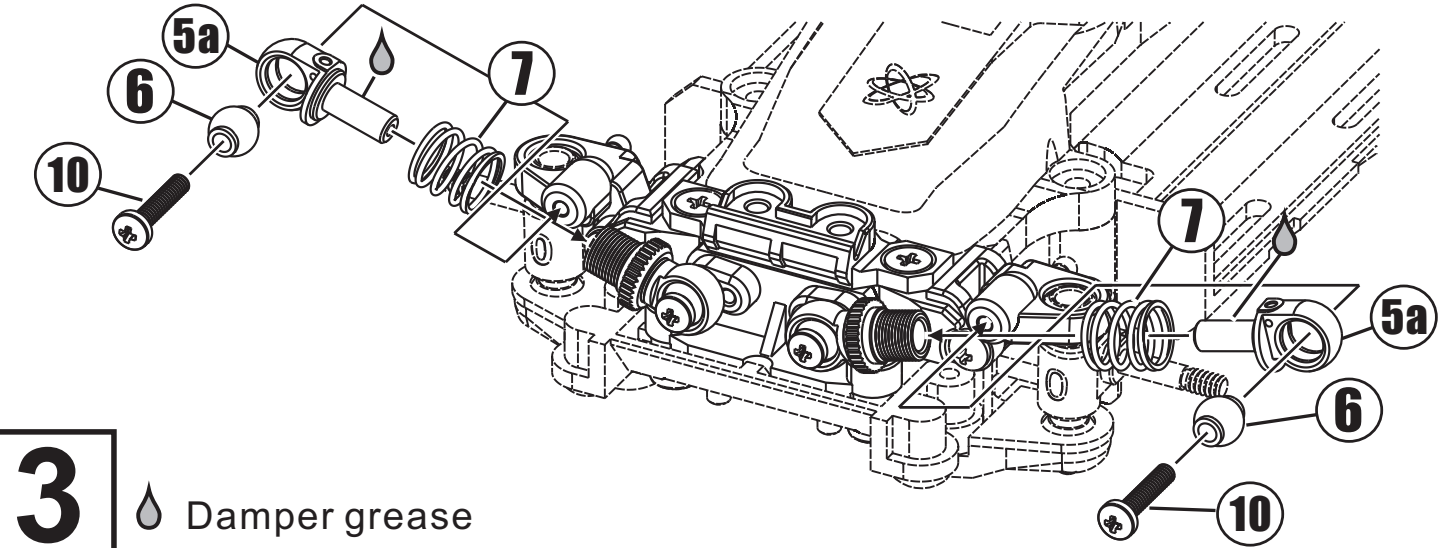
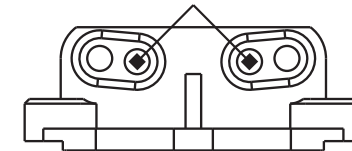
2 !!! Part f,g are NOT included



Package Included

1. Shock Stand	x 1
2. F.R.P. Front Bulk	x 1
3. Roll Bar Mount	x 1
4. Upper Arm-L,R	x 1 pair
5a.Grease Shock (A)	x 2
5b.Grease Shock(B)	x 2
5c.Grease Shock (C)	x 2
6. Pivot ball (Ø4)	x 5
7. Spring Set	x 2
8. Collar	x 5
9. M2 x 8 PB Screw	x 3
10.M1.5 x 9 PB Screw	x 5
11. M2 x 6 KB Screw	x 3
12. M2 x 8 PB Screw	x 3

Narrow Offset



3 Damper grease